



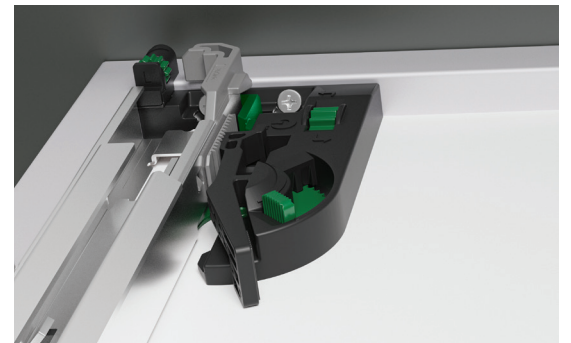
DYNAPRO 2D



G*GRASS®

DYNAPRO SLIDE SYSTEM

Synchronized full extension concealed undermount slides.
Precision in movement, design, and comfort.





Synchronized rack and pinion technology allows Dynapro slides to move in unison with one another, improving glide, reducing noise, and enhancing the closing action.

Dynapro's enhanced features benefit manufacturers, cabinet makers, designers, and homeowners alike. With its excellent running performance at high loads, synchronized smooth extension, and ability to accommodate 48" wide drawers without additional hardware, Dynapro provides a premium option for customers seeking the premier solution for their undermount slides. Dynapro 2D offers both height and side adjustment, as well as depth adjustment via the front locking device. Dynapro's integrated German-made Soft-close damper brings the drawer to a gentle, even rest, even when fully loaded or slammed. Its extensive adjustability and front locking device options ensure flawless operation and precise positioning in the cabinetry. In addition, this system can be combined with Grass' mechanical, push-to-open, handle-free Tipmatic system or the Sensomatic electronic opening system for additional functionality and ease of operation.

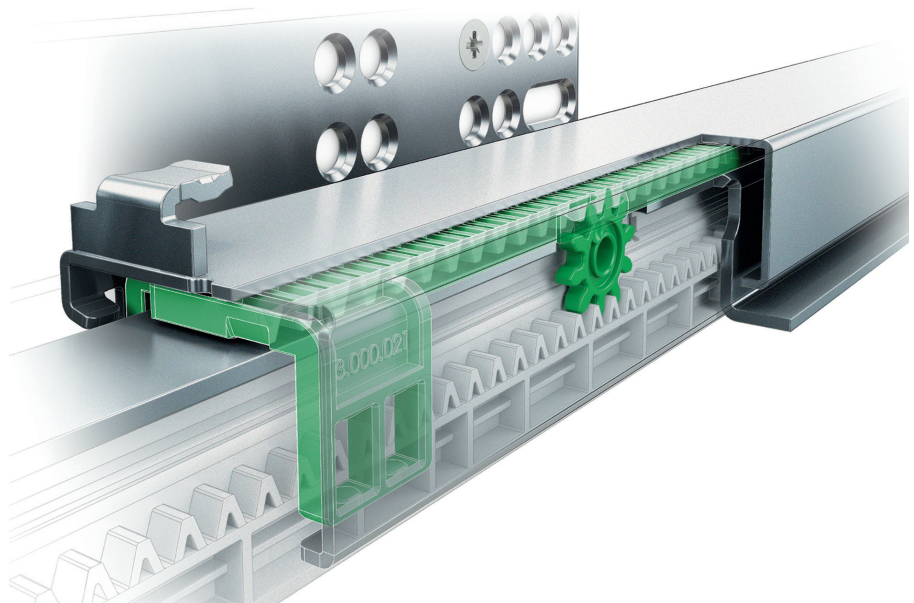



Table of Content

	Description	Adjustment	Page
	<p>Dynapro 16 (2D)</p> <ul style="list-style-type: none"> • Optional 3-dimensional adjustment • Face frame or frameless • Integrated Soft-close, full extension • For 12.7mm (1/2") to 16mm (5/8") material 	<p>Front locking device selection provides:</p> <ul style="list-style-type: none"> • Height adjustment (max +3.5mm) • Side adjustment (max ±1.5mm) • Depth adjustment (max 3.0mm forward) 	4
	<p>Dynapro 19 (2D)</p> <ul style="list-style-type: none"> • Optional 3-dimensional adjustment • Face frame or frameless • Integrated Soft-close, full extension • For 16mm (5/8") to 19mm (3/4") material 	<p>Front locking device selection provides:</p> <ul style="list-style-type: none"> • Height adjustment (max +3.5mm) • Side adjustment (max ±1.5mm) • Depth adjustment (max 3.0mm forward) 	6
	<p>Dynapro Tipmatic Soft-close</p> <ul style="list-style-type: none"> • For 12.7mm (1/2") to 19mm (3/4") material • Tool-free assembly • Works with Dynapro 2D 16mm and 19mm 	<ul style="list-style-type: none"> • 3-tier adjustment for opening force 	8
	<p>Front Locking Devices and Accessories</p>		9
	<p>Dynapro Base Panel and Pull Out Shelf</p> <ul style="list-style-type: none"> • Frameless, for 16mm (5/8") material • Integrated Soft-close, full extension 	<p>Front locking device selection provides:</p> <ul style="list-style-type: none"> • Height adjustment (max +3.5mm) 	10
	<p>Sensomatic</p> <ul style="list-style-type: none"> • Automatic soft touch drawer opening • Various mounting options 	<ul style="list-style-type: none"> • Adjustable opening strength 	11

Dynapro 16, Full Extension Slide, 2D

Integrated Soft-close with optional 3-dimensional adjustment for 16mm (5/8") drawer material

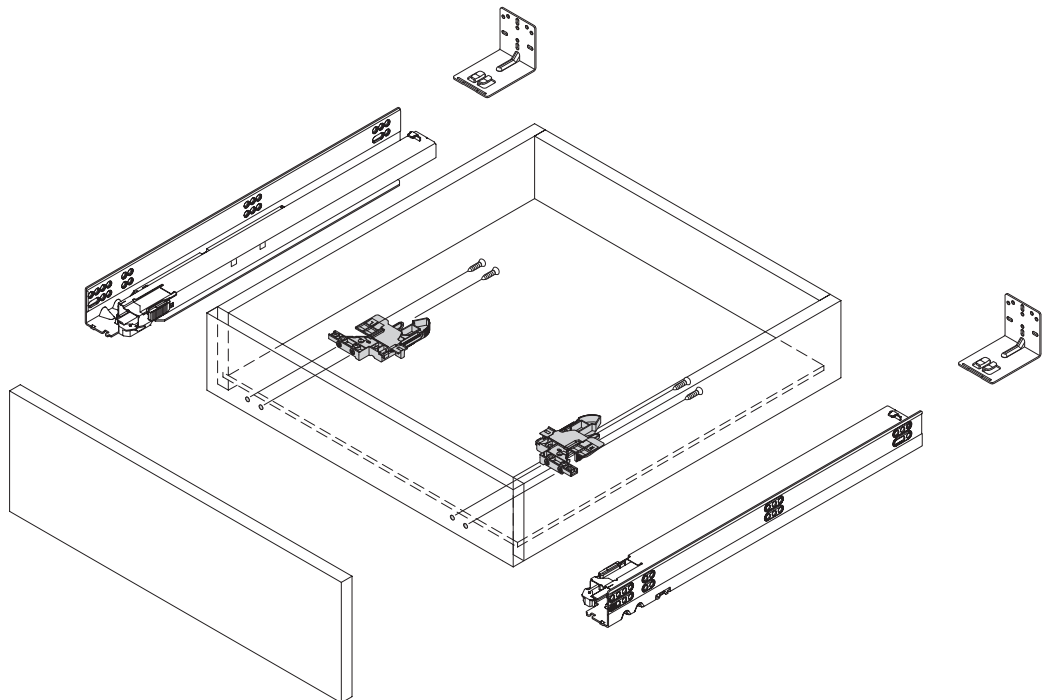


- Face frame or frameless applications from 12.7mm (1/2") up to 16mm (5/8") drawer material
- Full extension with a synchronized mechanism
- Fully enclosed soft-close liquid damping system
- Self-latching front locking devices have easy release levers for drawer removal and installation
- Height adjustment +3.5mm with suitable front locking device
- Side adjustment ± 1.5 mm with suitable front locking device
- Depth adjustment +3.0mm forward with suitable front locking device
- 100 lb load rating (45 kg)

Dynapro 16 Full Extension Slide 2D, 100 lb (45 kg)

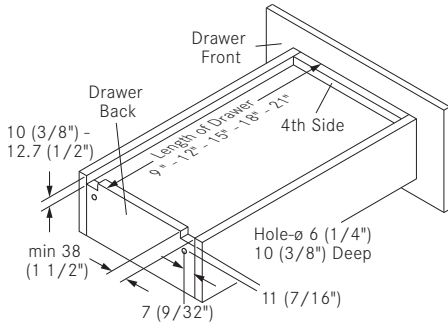


Drawer Length	Nominal Length	Min Installation Depth	Max Installation Depth	Item No.	PU
229 (9")	262 (10 5/16")	273 (10 3/4")	352 (13 7/8")	F130135013604	5
305 (12")	323 (12 23/32")	327 (12 7/8")	370 (14 9/16")	F130135014204U	5
381 (15")	399 (15 23/32")	403 (15 7/8")	446 (17 9/16")	F130135015204U	5
457 (18")	475 (18 11/16")	479 (18 27/32")	522 (20 9/16")	F130135016204U	5
533 (21")	551 (21 11/16")	555 (21 27/32")	598 (23 17/32")	F130135019204U	5
381 (15") LH	399 (15 23/32")	403 (15 7/8")	446 (17 9/16")	F130141432299	364
381 (15") RH	399 (15 23/32")	403 (15 7/8")	446 (17 9/16")	F130141433299	364
457 (18") LH	475 (18 11/16")	479 (18 27/32")	522 (20 9/16")	F130135017299	364
457 (18") RH	475 (18 11/16")	479 (18 27/32")	522 (20 9/16")	F130135018299	364
533 (21") LH	551 (21 11/16")	555 (21 27/32")	598 (23 17/32")	F130135020299	364
533 (21") RH	551 (21 11/16")	555 (21 27/32")	598 (23 17/32")	F130135021299	364



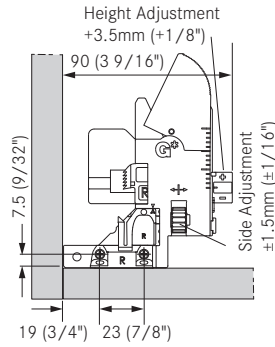
PU - Packaging unit

Drawer Measurements

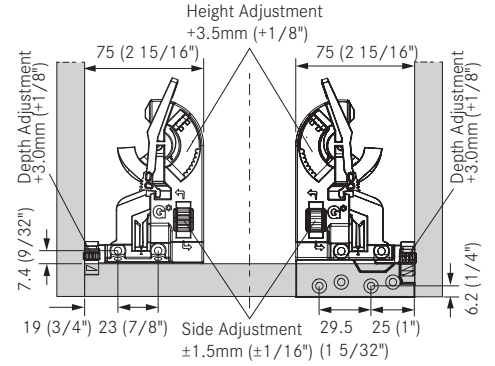


Front Locking Device Installation

Front Locking Device

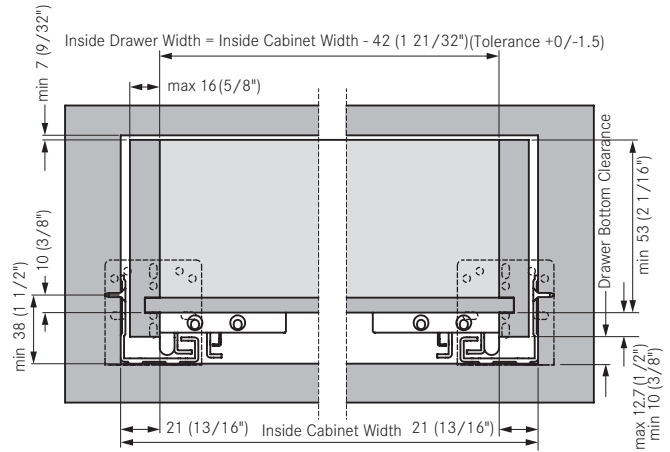
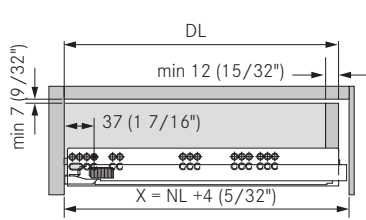


2D/3D Front Locking Devices



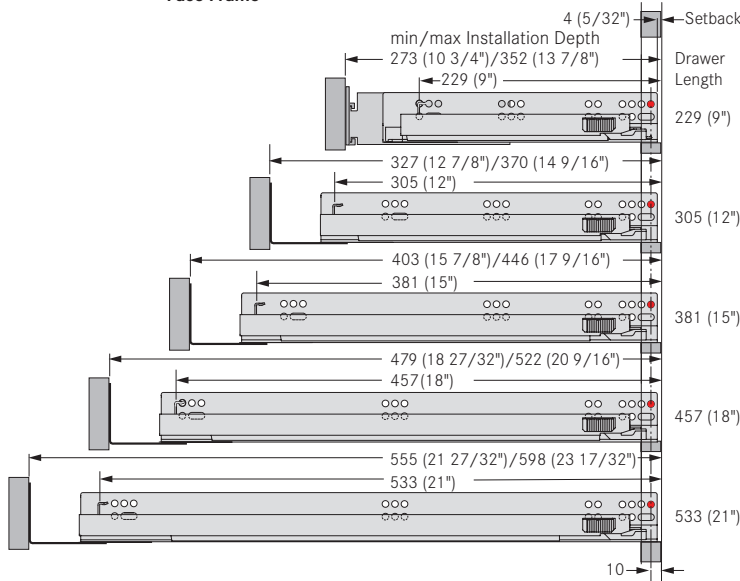
Drawer

Drawer Installation Dimensions

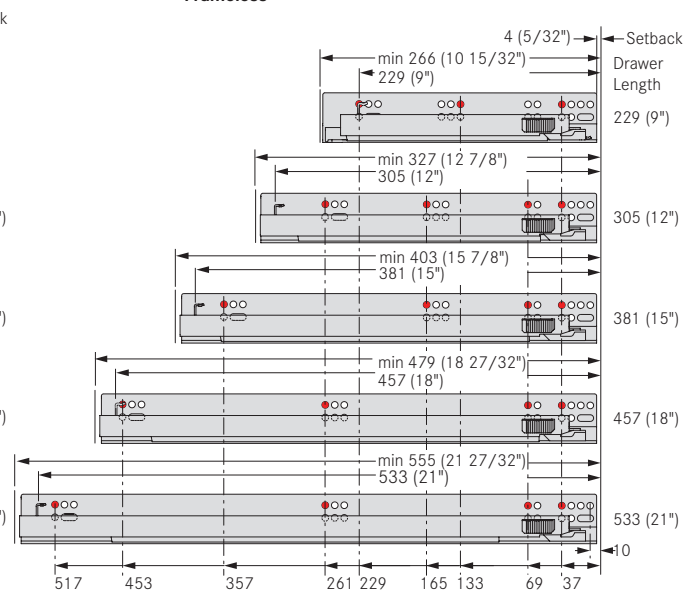


Cabinet Boring Specifications

Face Frame



Frameless



- DBC = drawer bottom clearance
- DL = drawer length
- ICW = inside cabinet width
- IDW = inside drawer width
- NL = nominal length
- X = minimum installation depth

Pre-drilling recommended $\varnothing 2.5\text{mm}$ (3/32").
 Note: The recommendations for screw placement are guidelines only. Installers need to ensure that the cabinet wall is adequate.

Dynapro 19, Full Extension Slide, 2D

Integrated Soft-close with optional 3-dimensional adjustment for 19mm (3/4") drawer material

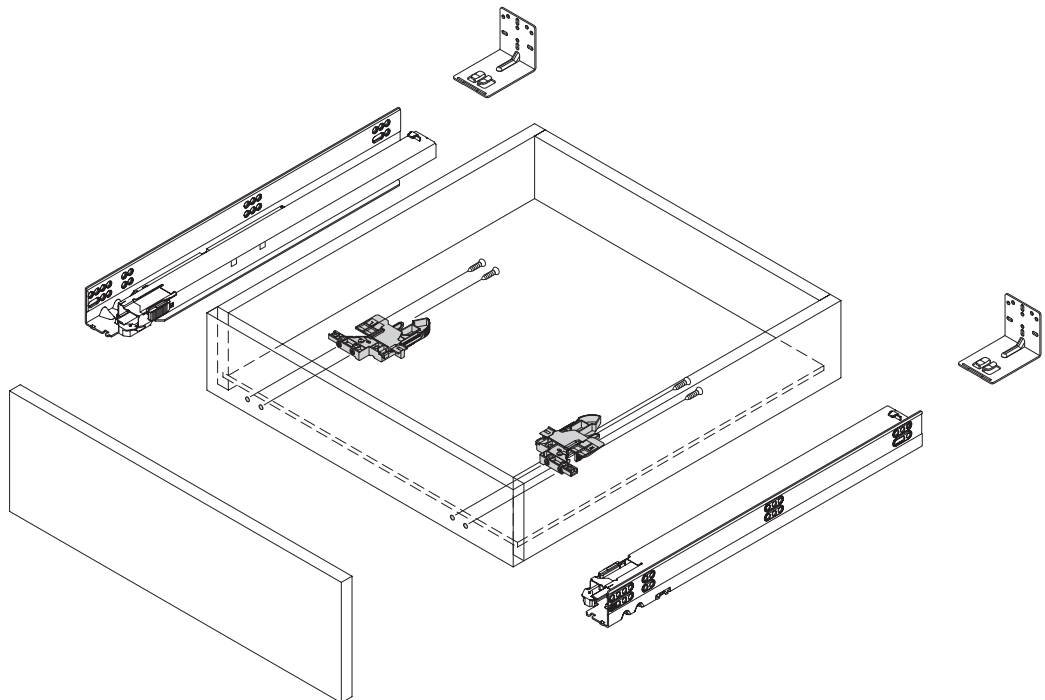


- Face frame or frameless applications from 16mm (5/8") up to 19mm (3/4") drawer material
- Full extension with a synchronized mechanism
- Fully enclosed soft-close liquid damping system
- Self-latching front locking devices have easy release levers for drawer removal and installation
- Integrated 2-dimensional adjustment for alignment
- Height adjustment +3.5mm with suitable front locking device
- Side adjustment ±1.5mm with suitable front locking device
- Depth adjustment +3.0mm forward with suitable front locking device
- 100 lb load rating (45 kg)

Dynapro 19 Full Extension Slide 2D, 100 lb (45 kg)

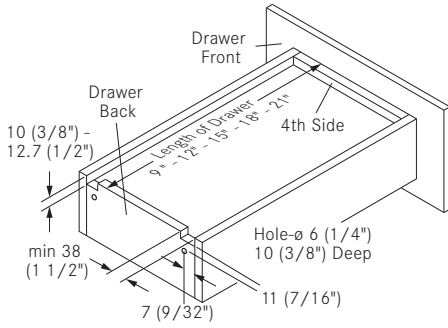


Drawer Length	Nominal Length	Min Installation Depth	Max Installation Depth	Item No.	PU
229 (9")	262 (10 5/16")	273 (10 3/4")	352 (13 7/8")	F130135030 604	5
305 (12")	323 (12 23/32")	327 (12 7/8")	370 (14 9/16")	F130135031 204U	5
381 (15")	399 (15 23/32")	403 (15 7/8")	446 (17 9/16")	F130135032 204U	5
457 (18")	475 (18 11/16")	479 (18 27/32")	522 (20 9/16")	F130135033 204U	5
533 (21")	551 (21 11/16")	555 (21 27/32")	598 (23 17/32")	F130135034 204U	5
381 (15") LH	399 (15 23/32")	403 (15 7/8")	446 (17 9/16")	F130141436 299	336
381 (15") RH	399 (15 23/32")	403 (15 7/8")	446 (17 9/16")	F130141437 299	336
457 (18") LH	475 (18 11/16")	479 (18 27/32")	522 (20 9/16")	F130141438 299	336
457 (18") RH	475 (18 11/16")	479 (18 27/32")	522 (20 9/16")	F130141439 299	336
533 (21") LH	551 (21 11/16")	555 (21 27/32")	598 (23 17/32")	F130141440 299	336
533 (21") RH	551 (21 11/16")	555 (21 27/32")	598 (23 17/32")	F130141441 299	336



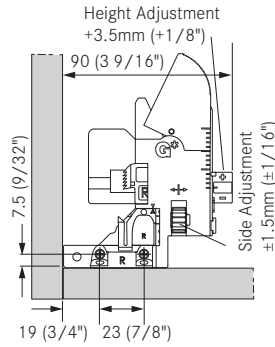
PU - Packaging unit

Drawer Measurements

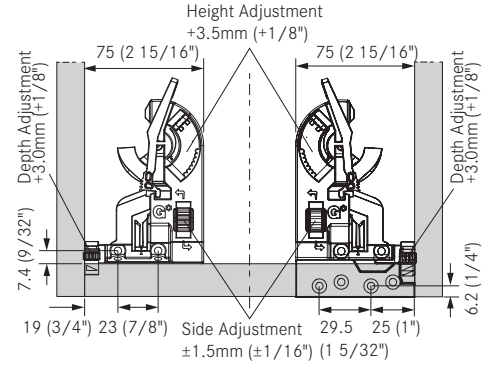


Front Locking Device Installation

Front Locking Device

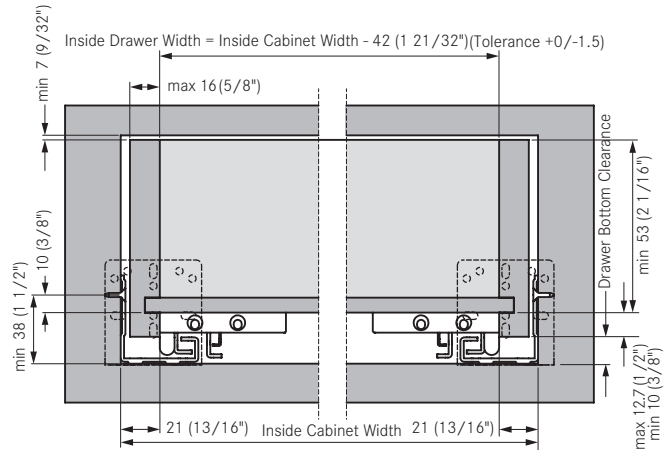
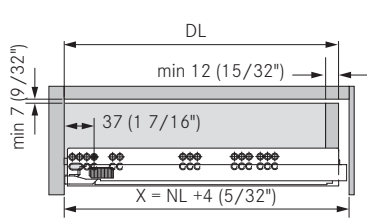


2D/3D Front Locking Devices



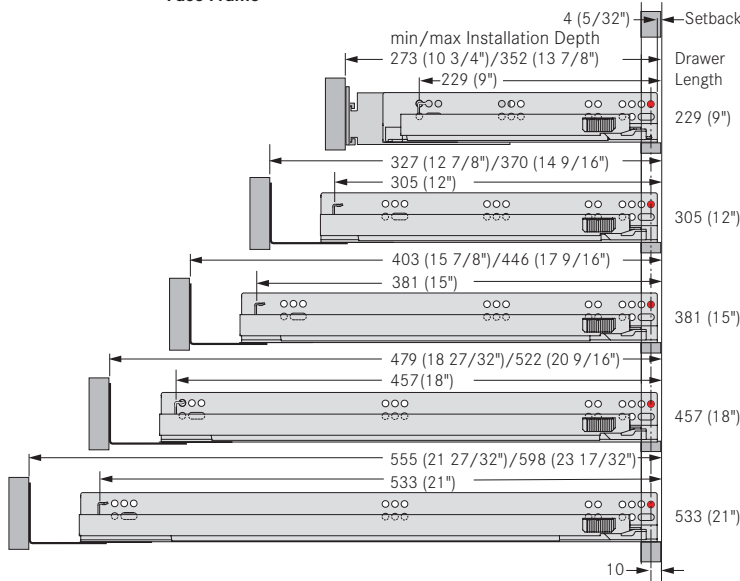
Drawer

Drawer Installation Dimensions

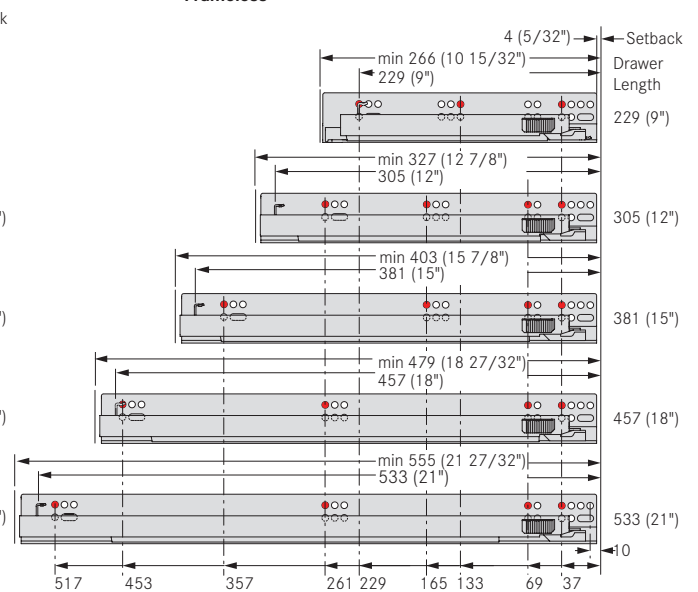


Cabinet Boring Specifications

Face Frame



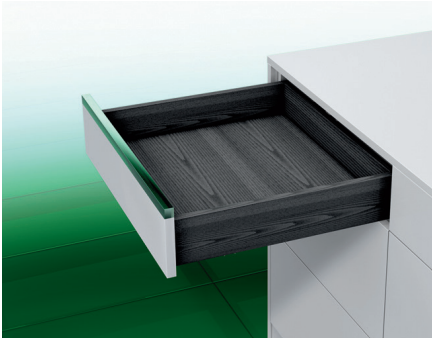
Frameless



- DBC = drawer bottom clearance
- DL = drawer length
- ICW = inside cabinet width
- IDW = inside drawer width
- NL = nominal length
- X = minimum installation depth

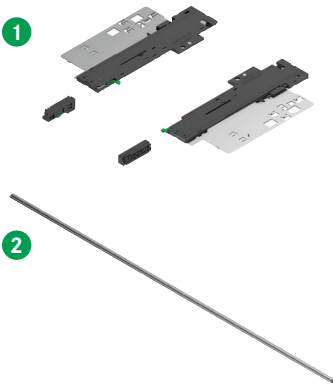
Pre-drilling recommended $\varnothing 2.5\text{mm}$ (3/32").
 Note: The recommendations for screw placement are guidelines only. Installers need to ensure that the cabinet wall is adequate.

Dynapro Tipmatic Soft-close



- Face frame or frameless applications for Dynapro 16 and 19
- Mechanical opening system for handle-free fronts
- Combines Tipmatic function with Soft-close damping
- Tool-free assembly of the Tipmatic Soft-close unit
- One Tipmatic Soft-close set for all slide lengths
- 3-tier adjustment for the opening force
- Wide activation zone due to synchronization bar
- Works with Dynapro 2D slides
- Dynapro Tipmatic Soft-close works with all Dynapro front locking devices
- For inside cabinet widths up to 1168mm (46")

Tipmatic Soft-close for Dynapro 3D



Description	Item No.	PU
(Must order separately)		
1 Tipmatic Soft-close set, unit and activator	F134141632607	10
2 Tipmatic synchronization bar - cut to length, 952mm (37 1/2")	F134109410207	10

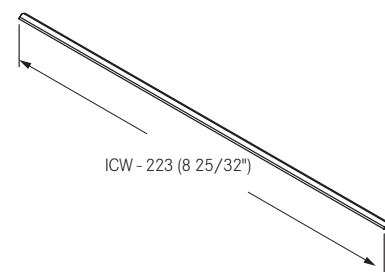
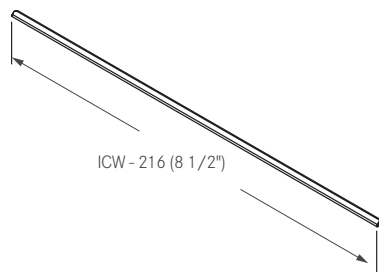
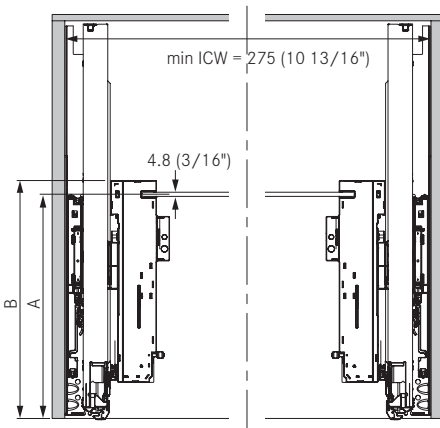
Note: Tipmatic Soft-close does not work with 9" slides.

Drawer Length	Nominal Length	Min Inst. Depth	Max Inst. Depth
305 (12")	323 (12 23/32")	327 (12 7/8")	370 (14 9/16")
381 (15")	399 (15 23/32")	403 (15 7/8")	446 (17 9/16")
457 (18")	475 (18 11/16")	479 (18 27/32")	522 (20 9/16")
533 (21")	551 (21 11/16")	555 (21 27/32")	598 (23 17/32")
610 (24")	628 (24 23/32")	632 (24 7/8")	-
686 (27")	704 (27 23/32")	708 (27 7/8")	-
762 (30")	780 (24 23/32")	784 (30 7/8")	-

Position of the Synchronization Bar

Synchronization Bar Cut - 16mm

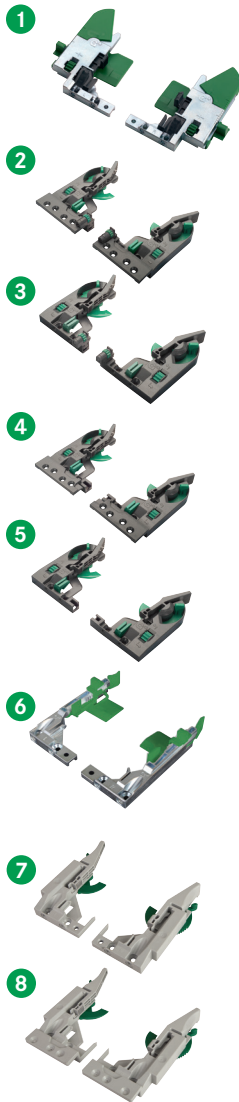
Synchronization Bar Cut - 19mm



Drawer Length	A	B
305 (12")	261 (10 9/32")	278 (10 15/16")
381 - 762 (15 - 30")	296 (11 21/32")	313 (12 5/16")

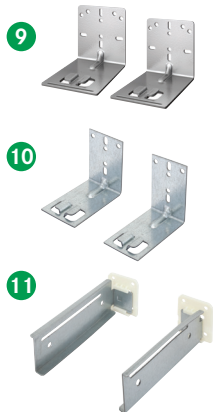
PU - Packaging unit

Front Locking Devices



Description	Adjustments	Item No.	PU
(Must order separately)			
1 Front locking device, left	height, side	F134125000633	200
Front locking device, right	height, side	F134125001633	200
Front locking device, set	height, side	F134101400104	5
2 3D Flanged front locking device, left	height, side, depth	F134108942233	200
3D Flanged front locking device, right	height, side, depth	F134108943233	200
3 3D Front locking device, left	height, side, depth	F134108947233	200
3D Front locking device, right	height, side, depth	F134108948233	200
4 2D Flanged front locking device, left	height, side	F134108944233	200
2D Flanged front locking device, right	height, side	F134108945233	200
5 2D Front locking device, left	height, side	F134108950233	200
2D Front locking device, right	height, side	F134108951233	200
6 Narrow front locking device, left	height	F134100699233	200
Narrow front locking device, right	height	F134100700233	200
7 Eco front locking device, left	height	F134101221233	200
Eco front locking device, right	height	F134101222233	200
8 Eco flanged front locking device, left	height	F134116420233	200
Eco flanged front locking device, right	height	F134116421233	200

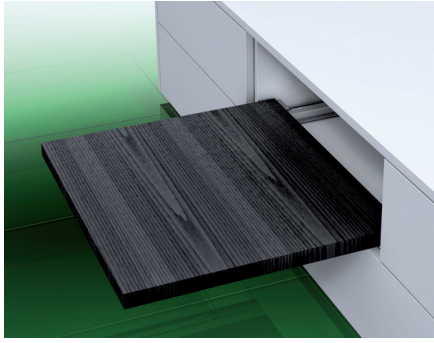
Rear Mounting Brackets



Description	Item No.	PU
(Must order separately)		
9 Rear mounting brackets, non-handed for 12"-21" slides, each	7950.VE300	300
10 Narrow rear mounting brackets, non-handed for 12"-21" slides, each	7951.VE300	300
11 Rear mounting sockets for 9" slides, set Set Includes: left and right sockets, (4) #M5 x 8 screw	00433-37	5

Dynapro Pull Out Shelf

Base Panel Mount Drawer Slides and 1D Front Locking Device Set



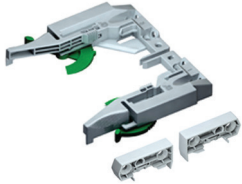
- Full extension with a synchronized mechanism
- Soft-close damping system
- Lower cabinet members allow for pull-out shelf
- Suitable for inset shelves
- Height adjustment +3.5mm with front locking device
- 88 lb load rating (40 kg)
- For frameless cabinetry

Dynapro Base Panel Mount Drawer Slides, 88 lb (40 kg)



Drawer Length	Item No.	PU
450 (18")	F130107884 604	5
500 (20")	F130107890 604	5
550 (22")	F130107893 604	5

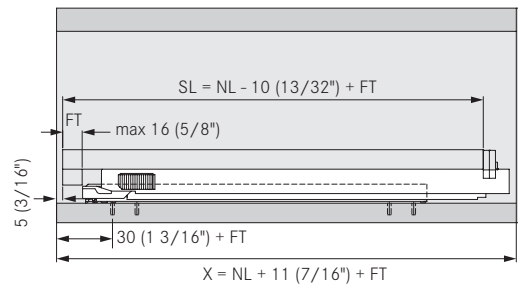
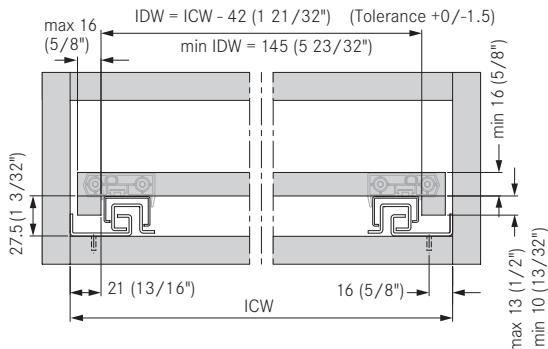
Front Locking Device



Description	Item No.	PU
(Must order separately)		
1D Front locking device & shelf holder, set	F134107411 517	50

Shelf Measurements

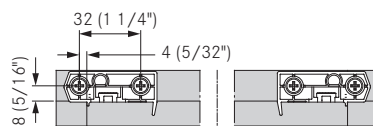
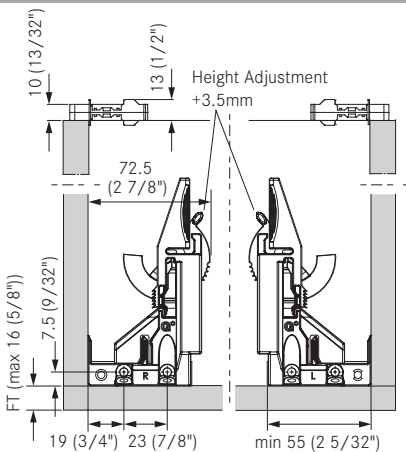
Pull Out Shelf



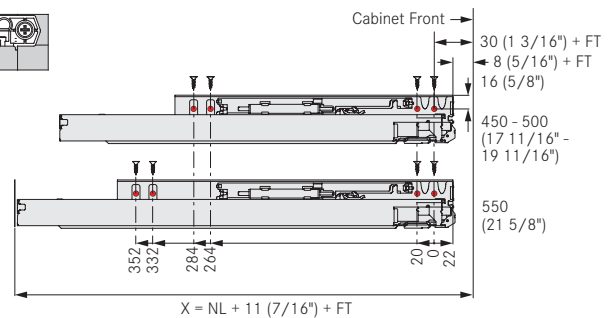
Front Locking Device Installation

Shelf Holder Installation

Cabinet Boring Specifications - Top View



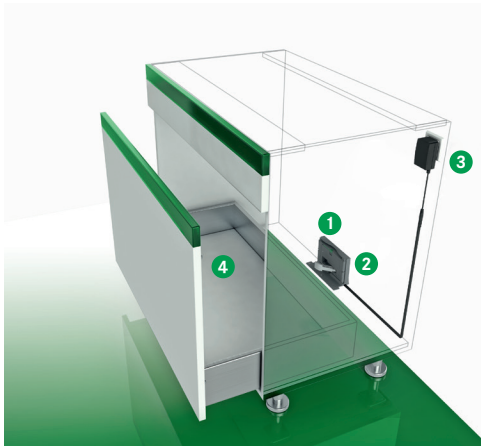
FT = front thickness
 ICW = inside cabinet width
 IDW = inside drawer width
 NL = nominal length
 SL = shelf length
 X = minimum installation depth



PU - Packaging unit

Sensomatic Opening System

For Dynapro Drawers



Sensomatic, an electro-mechanical opening system with Soft-close, offers the advantages of handle free openings with the functionality of a soft-closing action. Sensomatic can be activated by a light touch on the surface of the drawer front. A simple installation process creates a drawer system that is steady, precise, and ingenious. Sensomatic, efficient regarding power consumption and occupied space, needs only one drive unit for cabinet widths up to 47 1/4" (1200mm) regardless of the weight. Accessories such as wire baskets, trash can receptacles, or roll-out trays can be fitted with the Sensomatic system without modification. Sensomatic offers drawer mounting options for a horizontal or vertical wooden stretcher, single drawer top mount, and waste bin kit for bottom mounting, as shown here.

More product information is available in the Online Catalog.

Sensomatic Kit

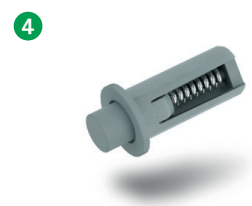
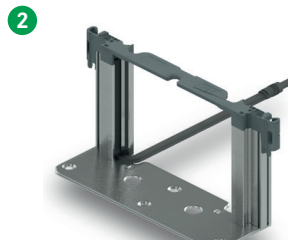
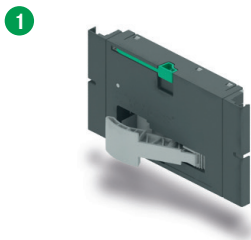


	Item No.	PU
For Dynapro	F121100697201	1

PU = 1 set

Set contains:

- 1 - Opening unit
- 2 - Base frame
- 3 - Power supply unit
- 4 - Front bumpers
(front gap 2.2mm - F121100294223)





GRASS America Inc.
1202 NC Highway 66 South
Kernersville, NC 27284

Phone: 1-800-334-3512
Fax: 1-800-525-8406

www.grassusa.com
info@grassusa.com

